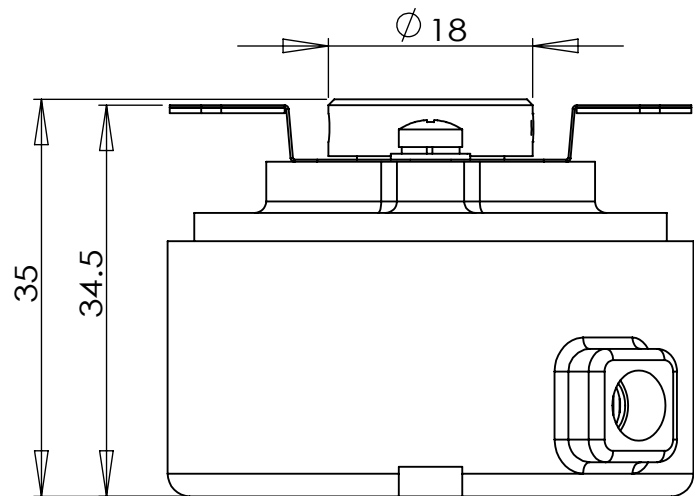
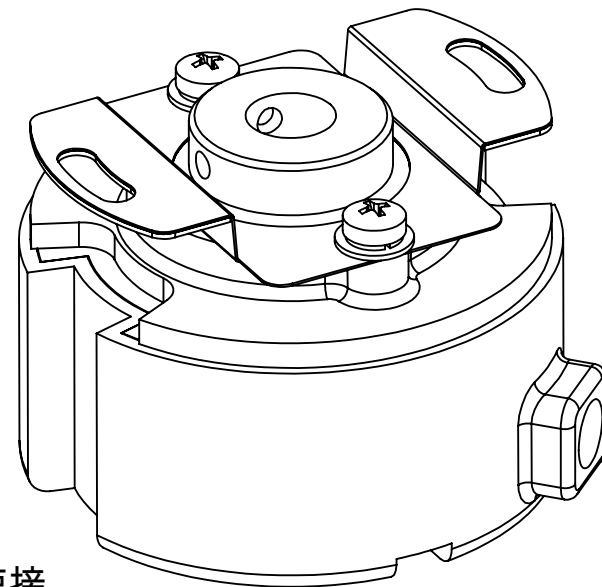


内置电池电子多圈编码器
 单圈分辨率17位
 多圈圈数16~24位
 RS485 2.5Mbps通讯接口


接口引脚说明：

- 红色：VCC5V
- 黑白：VBAT+_B
- 红白：VBAT+_A
- 绿色：N/A
- 绿白：N/A
- 黄色：RS485A
- 黄白：RS485B
- 黑色：GND



VBAT+_A/B正常使用时需短接

PROPRIETARY AND CONFIDENTIAL
 THE INFORMATION CONTAINED IN THIS
 DRAWING IS THE SOLE PROPERTY OF
 Bluencoder(Suzhou) Technolgy Co.Ltd. ANY
 REPRODUCTION IN PART OR AS A WHOLE
 WITHOUT THE WRITTEN PERMISSION OF
 Bluencoder(Suzhou) Technolgy Co.Ltd IS
 PROHIBITED.

		DIMENSIONS ARE IN MM TOLERANCES: ±0.1		NAME	DATE	Blue encoder(Suzhou)  Multiple turn Absolute Encoder
		FRACTIONAL ±		DRAWN		
		ANGULAR: MACH ± BEND ±		CHECKED		
		TWO PLACE DECIMAL ±		ENG APPR.		
		THREE PLACE DECIMAL ±		MFG APPR.		
		MATERIAL		Q.A.		SIZE A DWG. NO. SCALE:1:1 WEIGHT: SHEET 1 OF 1
		FINISH		COMMENTS:		
NEXT ASSY	USED ON			MA48H08		
APPLICATION		DO NOT SCALE DRAWING				REV. v1.0